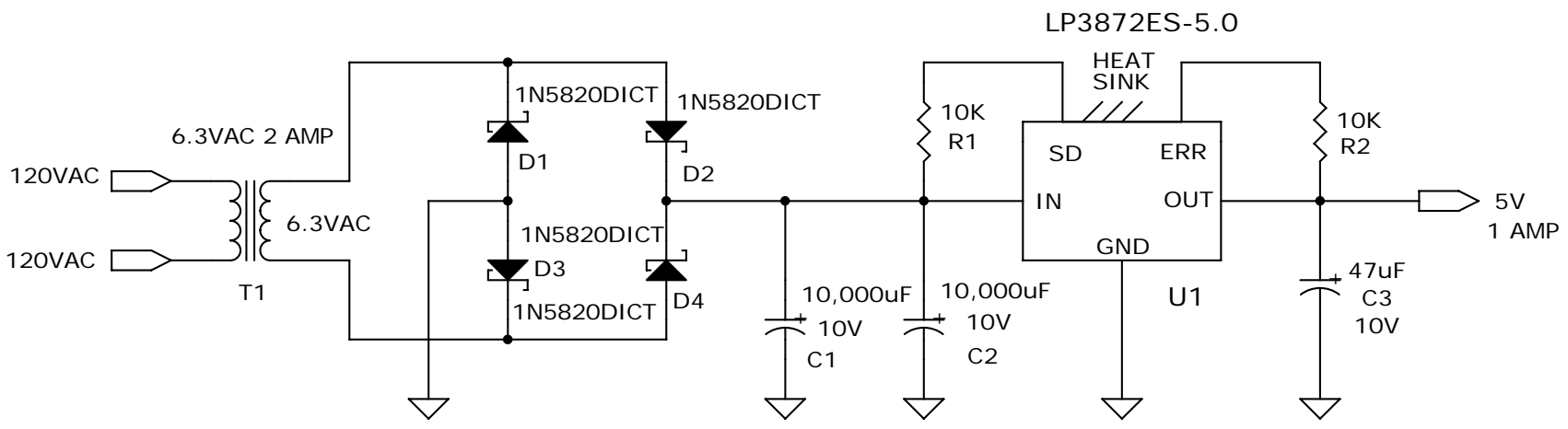


THIS CIRCUIT WILL NOT WORK AT FULL POWER



DESIGNED BY DAVE JOHNSON  
 DISCOVERCIRCUITS.COM  
 ALL RIGHTS RESERVED

DRAWN BY: DAVE JOHNSON

Title		
LOW VOLTAGE DROP REGULATOR		
Size	Document Number	Rev
A	LOWDROPVOLTREG2.DSN	A
Date:	Saturday, February 14, 2009	Sheet 1 of 1