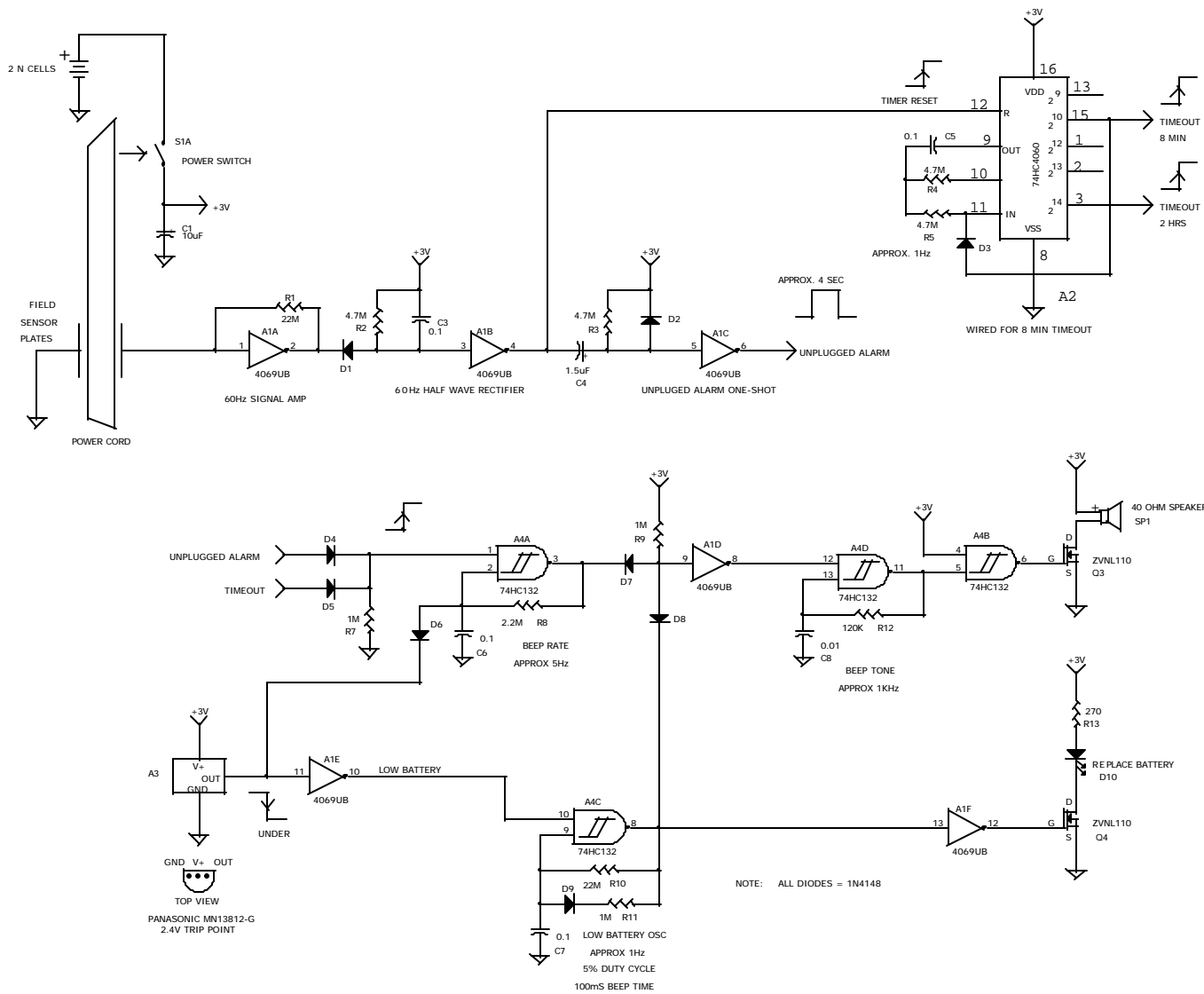


TYPICAL STAND-BY CURRENT DRAIN = 4uA  
8mA AVERAGE CURRENT DURING ALARM



# UNPLUGGED POWER CORD ALARM

D R AWN BY: DAVE JOHNSON

DAVID JOHNSON AND ASSOCIATES	
UNPLUGGED POWER CORD ALARM	
CORDALM1.DSN	
C	A
Saturday, July 08, 2000	