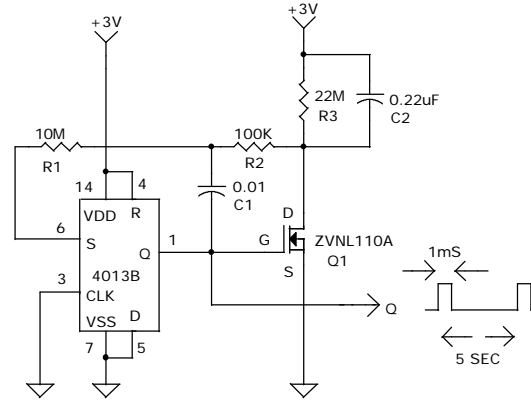
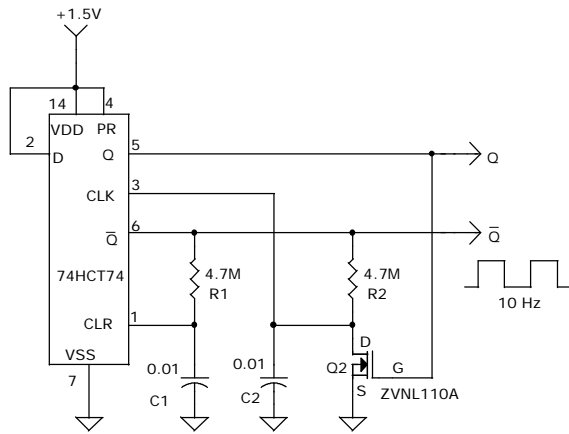


AVERAGE CURRENT = 2 μ A
APPROX 50% DUTY CYCLE

FREQ = APPROX. $\frac{1}{2R2C1}$

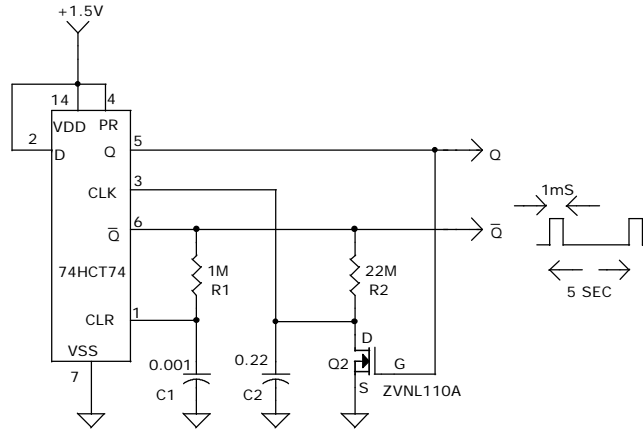


AVERAGE CURRENT = 0.3 μ A
APPROX. 0.02% DUTY CYCLE



74HCT74
AVERAGE CURRENT = 1.5 μ A
APPROX. 50% DUTY CYCLE

FREQ = APPROX. $\frac{1}{2R1C1}$



AVERAGE CURRENT = 1.5 μ A
APPROX. 0.02% DUTY CYCLE

THESE CIRCUITS MAY NOT WORK WITH ALL 74HCT74 DEVICES

DRAWN BY: DAVE JOHNSON

LOW POWER D FLIP/FLOP OSCILLATORS

DAVID JOHNSON AND ASSOCIATES
D FLIP/FLOP OSCILLATORS

Size B	Document Number	DFLIPOSC2.DSN	Rev A
Date:	Tuesday, March 26, 2002	Sheet	1 of 1