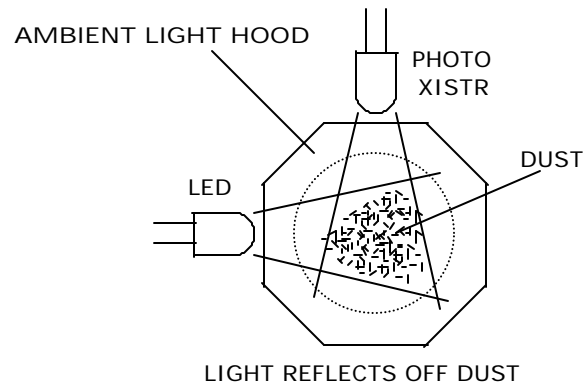
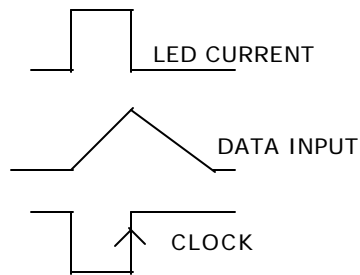
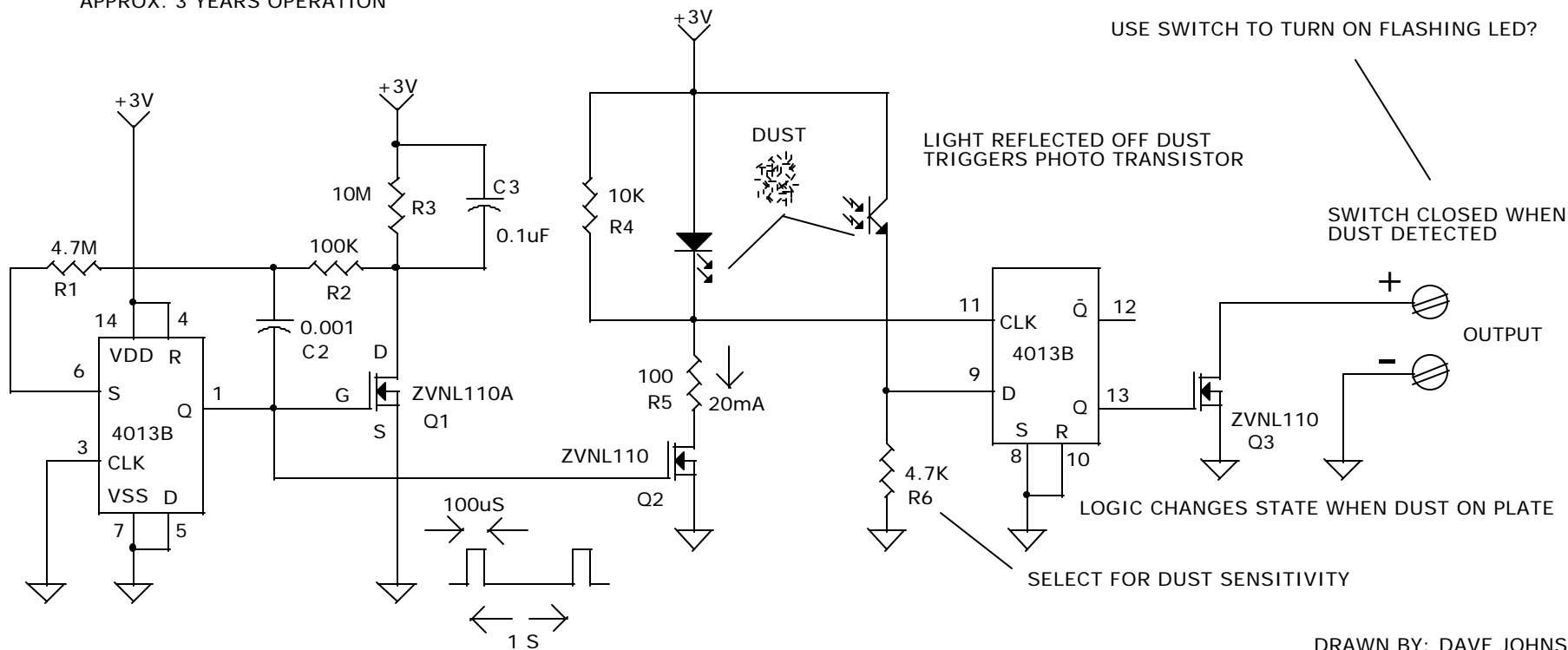


100uS SAMPLE TIME  
1 SAMPLE PER SECOND

LED PEAK CURRENT = 20mA  
AVERAGE LED CURRENT @ 5Hz = 2uA  
ESTIMATED AVERAGE CURRENT = 5uA  
APPROX. 3 YEARS OPERATION



USE SWITCH TO TURN ON FLASHING LED?



DRAWN BY: DAVE JOHNSON

# BATTERY POWERED DUST MONITOR

UNTESTED

DAVID JOHNSON AND ASSOCIATES		
BATTERY POWERED DUST MONITOR		
Size A	Document Number DUST2.DSN	Rev A
Date:	Thursday, July 06, 2000	Sheet 1 of 1