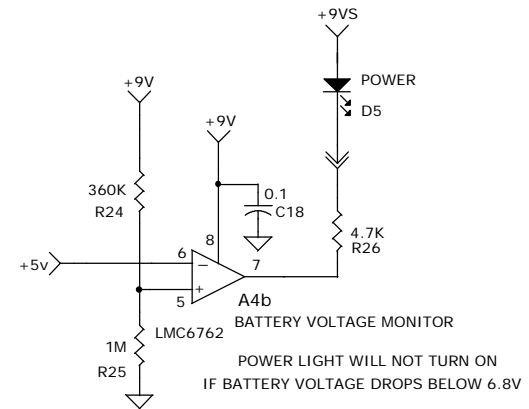


PCB INPUTS	OUTPUTS
BAT -	ALARM SW
SW BAT +	POWER LED
CHASSIS GND	+ LED
ALARM +	- LED
ALARM -	BEEPER -
ANTENNA	REMOTE ALARM -
	SIGAL OUT



DRAWN BY: DAVE JOHNSON

ELECTRIC FIELD DISTURBANCE MONITOR

DAVID JOHNSON AND ASSOCIATES		
ELECTRIC FIELD DISTURBANCE MONITOR		
CIRCUIT SCHEMATIC		
Size B	Document Number EFIELD1B.DSN	Rev A
Date: Tuesday, March 26, 2002 Sheet 2 of 2		